
9209 - Table lamp, US

Designed by Pavoo Tynell



ITEM NUMBER

9209, Table Lamp, US - Polished Brass

10119427

DESCRIPTION

One of the great industrial designers and metal craftsmen of the 20th century, Tynell came into the world at precisely the right time to become one of the pioneers of modern lighting; as the electric light spread across the world, so too did Tynell's design visions. The 9209 has a distinctively shaped shade in spun brass that has led to it being referred to as the 'Kypärä' – the Finnish word for 'helmet'. Held in place by a curved brass arm, the individually molded shade is decorated with triangular patterns of perforation – a Tynell decorative signature – which requires a specialist punch tool and the utmost precision to achieve by hand. As well as guiding the light downward, thanks to the holes punched in the surface, the shade also allows pinpricks of light through, creating a soft, textured glow and a starlight-like sparkle.

Materials & Finishes

SHADE FINISH

Brass, Polished



STEM FINISH

Rattan, Lacquered



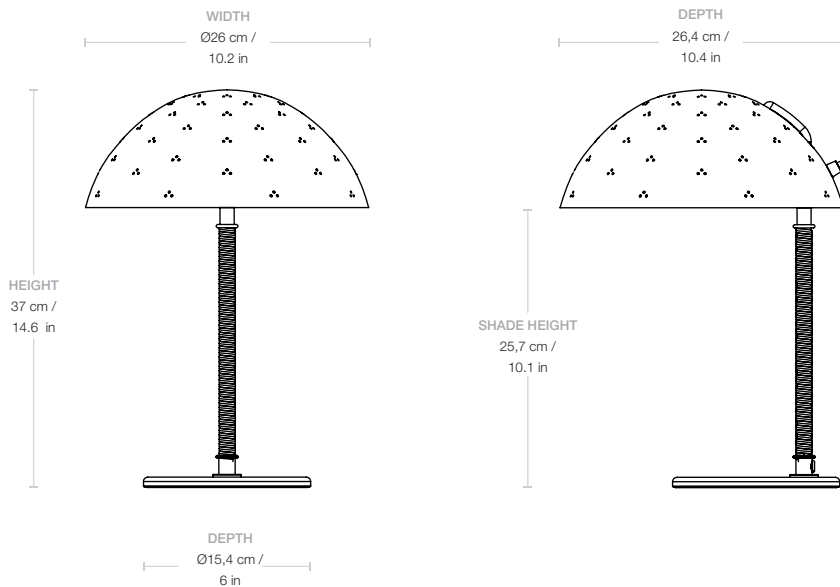
CORD SHAPE

Round

CORD COLOR

Golden

Dimensions



LAMP WIDTH

26 cm / 10.2 in

LAMP DEPTH

26,4 cm / 10.4 in

LAMP HEIGHT

37 cm / 14.6 in

SHADE WIDTH

10 cm / 3.9 in

SHADE DEPTH

26 cm / 10.2 in

SHADE HEIGHT

26 cm / 10.2 in

BASE WIDTH

15,4 cm / 6 in

CORD LENGTH

250 cm / 98.4 in

Weight

TOTAL WEIGHT 2 kg / 4.4 lbs

Number of parcels 1

PACKAGING LENGTH 40 cm / 15,7 in

PACKAGING WIDTH 31,5 cm / 12.4 in

PACKAGING HEIGHT 30,5 cm / 12 in

PACKAGING WEIGHT 1 kg / 2.2 lbs

GROSS WEIGHT 3 kg / 6.6 lbs

Electrical Specifications

BULB SOCKET 1 x E26

RECOMMENDED BULB 4-6W LED, 470lm

DIMMER No

SWITCH On Product

VOLTAGE 120V

BULB INCLUDED No

Test & Certifications

CERTIFICATION  

ISOLATION CLASS II

IP CLASSIFICATION 20
