

Designed by Louis Weisdorf

PRODUCT



COLORS



// All brass



// Black/ Brass



// White/ Chrome

DESCRIPTION

The Multi-Lite was first drawn in 1972 when Louis Weisdorf did an exception to his own design custom of using multiple repeating elements. Instead it reflects his passion for diversity. The Multi-Lite Floor lamp has two individual rotating shades and can be transformed into multiple combinations where the light can be directed upwards, downwards or exude an asymmetrical art light. The lamp is available in different colors and all the shades are white lacquered inside.

VERSION - MULTI-LITE TABLE

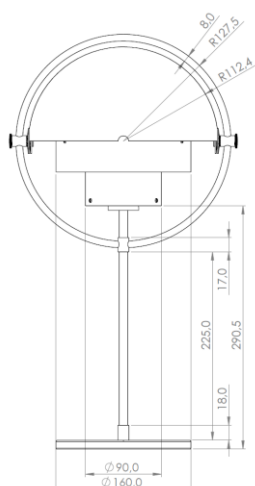
Colour codes are indicative:

All Brass - Brass colored cable, Brass foot switch, Black plug
 Brass/Charcoal Black - RAL 9011 - Gloss level 5 - Brass cable, Brass foot switch, Black plug
 Chrome/White - RAL 9003 - Gloss level 15 - Black cable, Black foot switch, Black plug

Base and centerpole:

- Brass on brass versions
- Chrome on chrome versions

MEASUREMENTS



FACTS

MEASUREMENT - L x W x H mm

Lamp height: 500 mm
 Lamp diameter: Ø255 mm
 Wire length, exposed: Approx: 2000 mm

WEIGHT ITEM - **LAMP INCL. WIRE**
 2750 g

PACKAGING TYPE

Cardboard box

PACKAGING MEASUREMENT - L x W x H cm

L: 58 x W: 27 x H: 30

WEIGHT PACKAGING - MATERIAL TYPE (recyclable)

- Polystyrene: 380 g
 - PE polybag: 60 g
 - Cardboard: 810

WEIGHT PACKAGING - TOTAL

1250 g

NUMBER OF PARCELS

1 pcs.

Designed by Louis Weisdorf

ACCESSORIES

-

ENVIRONMENT

-

TESTS

-

CERTIFICATION AND LABELS

CE-certified

SAFETY INSTRUCTIONS

If the cord or other electrical part is damaged, switch of the lamp and do not use it until it is repaired by a qualified electrician.

INSTALLATION INSTRUCTIONS

Instructions document no. 58-20-010-02

LIGHT SOURCE:

- Socket: E14 base
- Bulb types recommended:



- Recommended light sources:

470 Lumen (≤ 30W halogen, ~ 4-6W LED Dimmable)

- Max. light out put for above lamps:

(≤ 40W incandescent ≤ 30W halogen, ~ 5-6W LED Dimmable)

- Best result is achieved with frosted light bulbs

with a CRI (Colour Rendering Index) larger than 90.

- Lightbulb not included.

- All lamps can be fitted with a dimmer.

- Please contact your local electrician.



CARE INSTRUCTIONS

Wipe the shade with a damp cloth (dipped in warm water and a bit of mild detergent). Use only soft cloths for wiping and polishing. Never spray or clean with. Do not use cleaning materials, glass cleaner or household ammonia.

TROUBLESHOOTING

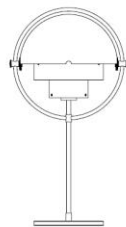
If lamp does not light, turn off the power. Check the bulb for a broken filament. Replace bulb if necessary. Turn lamp on. If the lamp still does not light, please contact customer service at the local dealer or the nearest GUBI dealer or send off this lamp to GUBI, it will be repaired by a qualified electrician in order to avoid a hazard.

TECHNICAL INFORMATION

Light sources: E14, 470 Lumen (≤ 30W incandescent, ≤ 30W halogen, ~ 4-6W LED Dimmable). Not power or other changing light bulb, incandescent. This lamp is not approved for outdoor use or use in damp/very damp areas.

GUBI

ASSEMBLY INSTRUCTIONS
for
Multi-Lite Table Lamp



*Euro voltage: 230 V

*Frequency: 50 Hz

*Supply voltage: AC power -

*Normally Closed: IP20



Class II / Double insulated



CE-Mark



GUBI

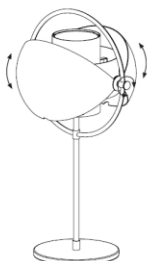
ASSEMBLY INSTRUCTIONS

CONTENTS:

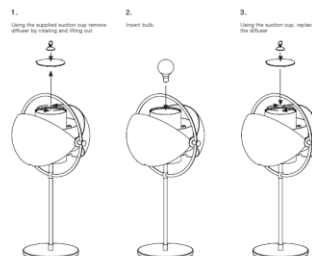


Adjusting the shade.

The ball shades can be moved, and tightened by turning the fixing screw.



Changing the bulb.



Designed by Louis Weisdorf

PRODUCT



COLORS



// All brass



// Black/Brass



// All chrome



// White /Chrome

DESCRIPTION

The Multi-Lite was first drawn in 1972 when Louis Weisdorf did an exception to his own design custom of using multiple repeating elements. Instead it reflects his passion for diversity. The Multi-Lite Floor lamp has two individual rotating shades and can be transformed into multiple combinations where the light can be directed upwards, downwards or exude an asymmetrical art light. The lamp is available in seven colors and all the shades are white lacquered inside.

VERSION - MULTI-LITE FLOOR

Colour codes are indicative:

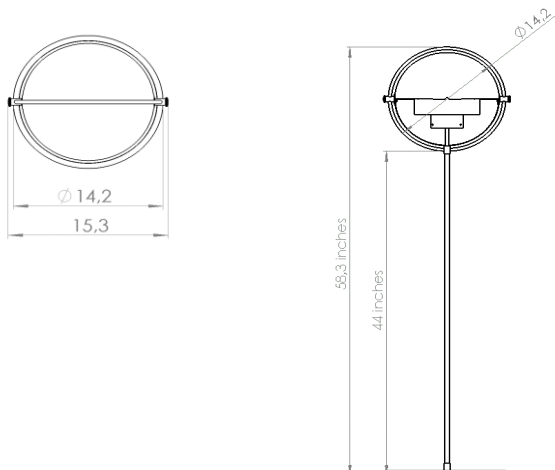
All Brass - Brass colored cable, Brass foot switch, Black plug
 Brass/Charcoal Black - RAL 9011 - Gloss level 5 - Brass cable, Brass foot switch, Black plug
 All Chrome - Black cable, Black foot switch, Black plug
 Chrome/White - RAL 9003 - Gloss level 15 - Black cable, Black foot switch, Black plug

Base and center pole:

- Brass on brass versions
- Chrome on chrome versions

MEASUREMENTS

Order item - look for part number in the pricelist.



FACTS

MEASUREMENT - *L x W x H inches*

Lamp height: 59,3 inches
 Lamp diameter: dia. 14,2 inches
 Wire length, exposed: Approx: 157,5 inches

WEIGHT ITEM - *LAMP INCL. WIRE*
 405.650 oz

PACKAGING TYPE
 Cardboard box

PACKAGING MEASUREMENT - *L x W x H*
 L: 66,42 x W: 16,14 x H: 16,93 inches

WEIGHT PACKAGING - *MATERIAL TYPE (recycleable)*

- Polystyrene: 21.164 oz
- PE polybag: 3.456 oz
- Cardboard inside: 84.657 oz
- Cardboard outside: 105.821 oz

WEIGHT PACKAGING - *TOTAL*
 215,1 oz

NUMBER OF PARCELS
 1 pcs.

MULTI-LITE // FLOOR Ø360, US MODEL

THE MULTI-LITE COLLECTION

Designed by Louis Weisdorf

ACCESSORIES

-

ENVIRONMENT

-

TESTS

-

CERTIFICATION AND LABELS

SAFETY INSTRUCTIONS

If the cord or other electrical part is damaged, switch of the lamp and do not use it until it is repaired by a qualified electrician.

INSTALLATION INSTRUCTIONS

Instructions document no. 58-20-006-01

LIGHT SOURCE:

- Socket: E26 base
- Bulb types recommended:



- Recommended light sources: *Halogen light bulb*
- Recommended wattage: 46 W
- Max wattage: 57 W

All fluorescens light bulbs

- Recommended wattage: 15 W
- Max wattage: 18 W

LED retrofit light bulbs

- Recommended wattage: 9,5 W
- Max wattage: 11,5 W

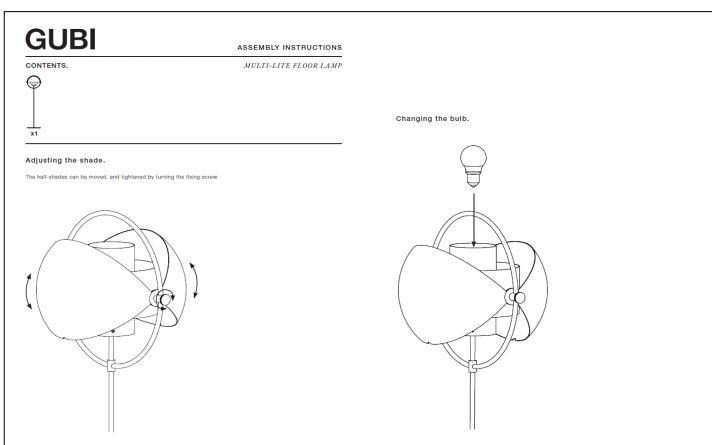
- Max. light out put for above lamps:
1050 Lumens ≈ (75 WATT incandescent bulbs)

- US plug: Type A, 2 PIN, 15 amp, (NEMA 1-15)
- US voltage: 120 V
- Frequency: 60 Hz
- Supply voltage: AC power –
- Normally Closed: IP20



Class II / Double insulated

Mark for Canada and the U.S.



Designed by Louis Weisdorf

PRODUCT



COLORS



DESCRIPTION

The Multi-Lite was first drawn in 1972 when Louis Weisdorf did an exception to his own design custom of using multiple repeating elements. Instead it reflects his passion for diversity. The Multi-Lite pendant has two individual rotating shades and can be transformed into multiple combinations where the light can be directed upwards, downwards or exude an asymmetrical art light. The lamp is available in seven colors and all the shades are white lacquered inside.

VERSION - MULTI-LITE S PENDANT

Colour codes are indicative:

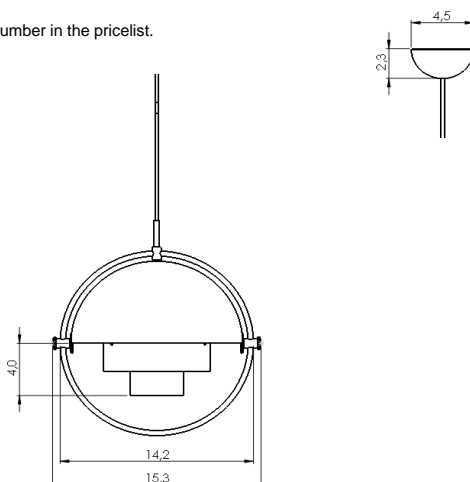
- All Brass - brass colored cable
- Brass/Charcoal Black - RAL 9011 - Gloss level 5 - black cable
- Brass/White - RAL 9003 - Gloss level 15 - white cable
- Brass/Blue - RAL 250 50 25 - Gloss level 15 - brass colored cable
- Brass/Rose dust - RAL 050 60 20 - Gloss level 12 - brass colored cable
- Brass/Seagrey - RAL 160 70 05 - Gloss level 12 - brass colored cable
- All Chrome - black cable
- Chrome/Black - RAL 9005 - Gloss level 15 - black cable
- Chrome/White - RAL 9003 - Gloss level 15 - white cable

Canopy:

- Brass on brass versions
- Chrome on chrome versions

MEASUREMENTS

Order item - look for part number in the pricelist.



FACTS

MEASUREMENT - L x W x H inches

- Lamp height: 14,2 inches
- Lamp diameter: dia. 14,2 inches
- canopy size: dia. 4,5 x 2,3 inches
- Wire length, exposed: Approx.. 157,5 inches

WEIGHT ITEM - LAMP INCL. WIRE

5,9 lb

PACKAGING TYPE

Cardboard box

PACKAGING MEASUREMENT - L x W x H

L: 15 x W: 15 x H: 20 inches

WEIGHT PACKAGING - MATERIAL TYPE (recycleable)

- Polystyrene: 9,6 oz
- PE polybag: 0,9 oz
- Cardboard inside: 14 oz
- Cardboard outside: 40 oz

WEIGHT PACKAGING - TOTAL

3,9 lb

NUMBER OF PARCELS

1 pcs.

MULTI-LITE // PENDANT Ø360, US MODEL

THE MULTI-LITE COLLECTION

Designed by Louis Weisdorf

ACCESSORIES

-

ENVIRONMENT

-

TESTS

-

CERTIFICATION AND LABELS

(c)UL listed

SAFETY INSTRUCTIONS

If the cord or other electrical part is damaged, switch of the lamp and do not use it until it is repaired by a qualified electrician.

INSTALLATION INSTRUCTIONS

Instructions document no. 58-20-002-03

LIGHT SOURCE:

- Socket: E26 base
- Bulb types recommendec



- Recommended light sources:

If LED is chosen, only dimmable versions work.

810 Lumen (~ 60W incandescent
~ 40-52W halogen ~ 6-10W LED)

- Max. light out put for above lamps:

1100 Lumen (~ 75W incandescent ~ 60-70W halogen)

By LED 1530 Lumen (~ 13-16W)

- Best result is achieved with frosted light bulbs with a CRI (Colour Rendering Index) larger than 90.
- Lightbulb not included.

- All lamps can be fitted with a dimmer.
- Please contact your local electrician.

- US plug: Type A, 2 PIN, 15 amp, (NEMA 1-15)

- US voltage: 120 V

- Frequency: 60 Hz

- Supply voltage: AC power ~

- Normally Closed: IP20



Class II / Double insulated Mark for Canada and the U.S.

