

SOFTWALL BED

design Piero Lissoni

Bed with headboard and bedstead structure in double-paneled poplar and pine, bedstead padded in polyurethane foam and headboard padded in differentiated density polyurethane foam covered with a mat in prewashed and sterilized goose down, stitched into separate compartments or covered with acrylic fibre layers. Covering in needle punched, resinated, nonwoven polyester fibre, bonded onto a polyamide velveteen backing. Metal frame, for bed assembly and slat base support, lacquered with black epoxy powder coating. Feet Ø40mm h8cm, in aluminium lacquered with epoxy powder black colour and support secured by black plastic elements.

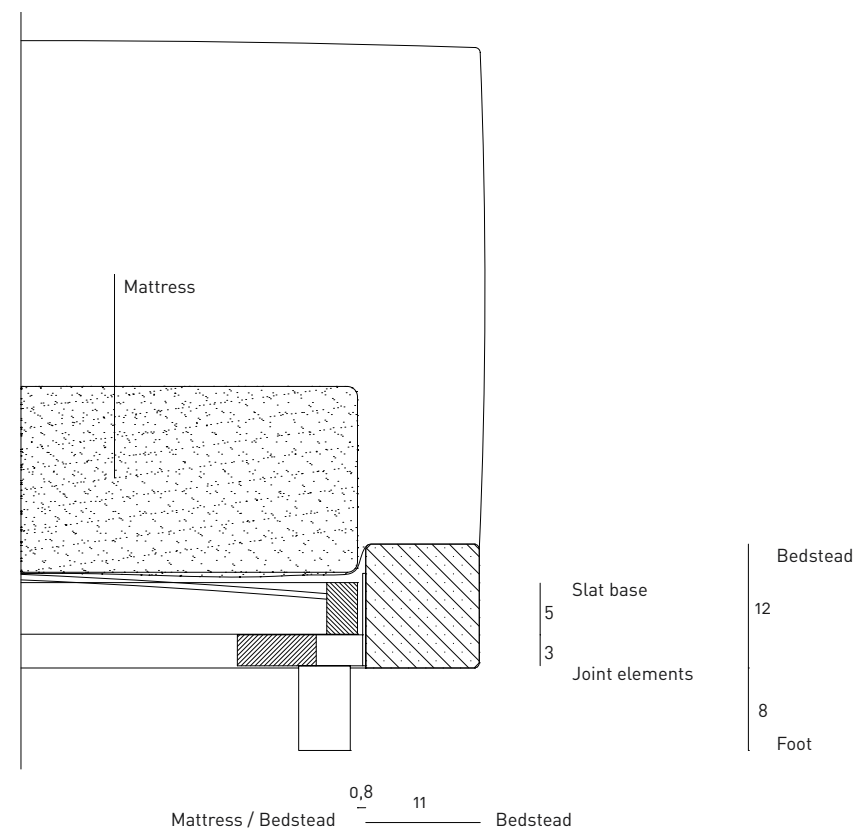
Fabric or leather upholstery, both fully removable by Velcro fastenings. Fabric cover to protect the slat base, in 100% cotton, col. Ecru, fixed to the bedstead upholstery by 2 zippers to open it on the sides and allow to inset the slat base.

Available also in American Queen and King size.

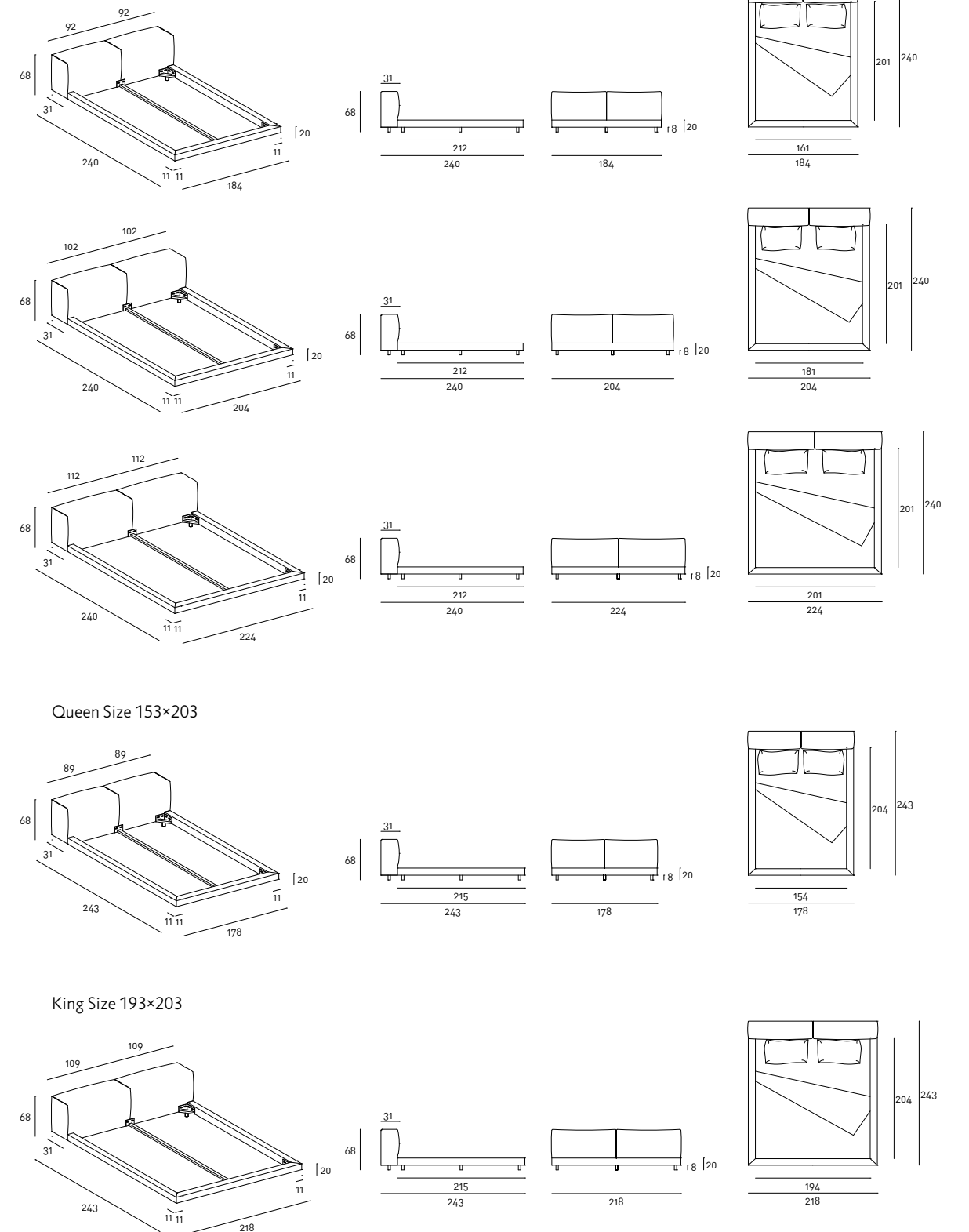
Predisposition for placing slat base, foreseen dimensions:

- cm. 160x200 or (2) 80x200
- cm. 180x200 or (2) 90x200
- cm. 200x200 or (2) 100x200
- cm. 153x203 Queen size
- cm. 193x203 King size

Bed Section



Technical Drawings



Notes

On request, Softwall Bed can be supplied in a higher version.

For slatted bases and mattresses not supplied by the company, please forward the technical specifications.

For slatted bases and mattresses, please refer to the price list.