

Off Cut bookshelf with structure in
Canaletto walnut

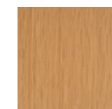


OFF CUT

design Nathan Yong

Bookshelf made of solid wood splints of various sizes, thickness 20x20mm assembled together. Finishes: natural oak, "canaletto" walnut or "canaletto" walnut charcoal-dyed with water-based acrylic paint finish. 6 shelves in clear tempered glass 6mm thick. The base/lower shelf is always in wood, same finish as the bookshelf, with insert of a stabilizer weight.

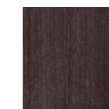
Structure



Natural Oak

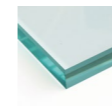


Canaletto
Walnut



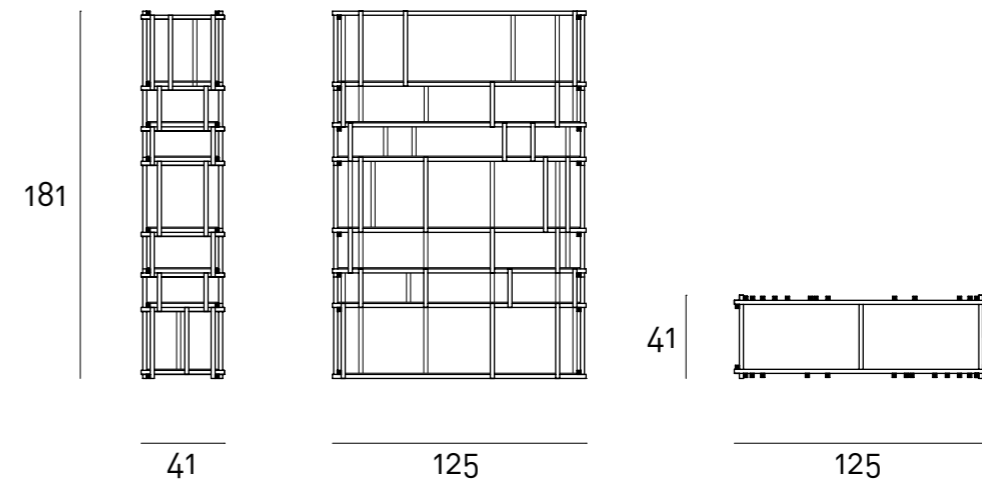
Charcoal-dyed
Canaletto
Walnut

Shelves



Transparent
Glass

Technical Drawings



Notes

Off Cut has undergone and passed the tests of general safety requirements (EN 14749: 2005, par.6.1), resistance of the shelves' supports (EN 14749: 2005, par.6.3.3), and stability (EN 14749: 2005, par.6.6) with issue of relative certificate by CATAS®.

For assembly, please refer to the instruction included with the product.