



NEOWALL

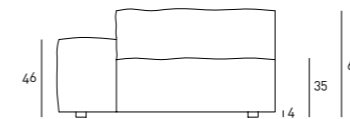
design Piero Lissoni

Different modular elements (seat, backrest, armrest) joined together by a steel frame, consisting of frame in double-paneled poplar and pine with cross-woven, coated rubber elastic straps. Padding in differentiated density polyurethane foam covered with a quilted mat in prewashed and sterilized goose down, stitched into separated compartments or in differentiated density polyurethane foam and

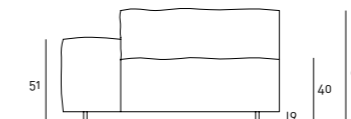
Visco-soft coated with a covering in needle punched, resinated, non-woven polyester fiber, bonded onto a polyamide velveteen backing. Black adjustable PVC feet or, on request, in Stainless Steel AISI 304, with matt satin-finish, screwed to the steel frame. Fabric or leather upholstery, both fully removable by Velcro fastenings. The various elements are joined together by means of hooks. Seat depth: 68-94-134cm.

Notes

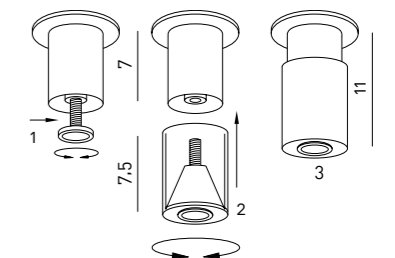
Element with standard feet in black adjustable PVC.



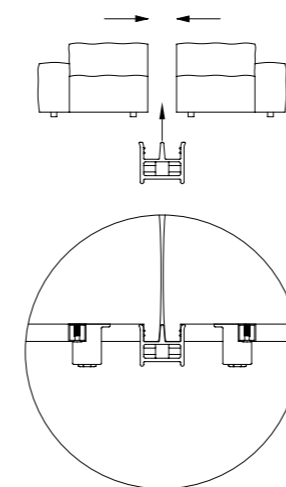
Element with feet in Stainless Steel, with matt satin-finish.



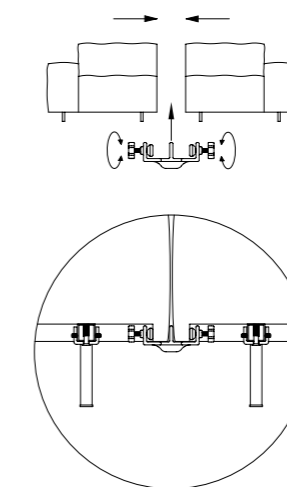
On request can be ordered a spacer, to lift the elements of further 4cm, to be screwed to the standard feet.



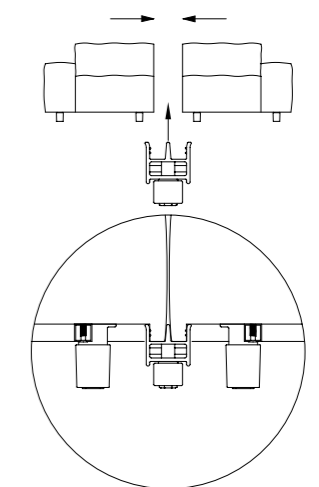
Hooks for assembly elements with standard feet in PVC.



Hooks for assembly elements with feet in Stainless Steel

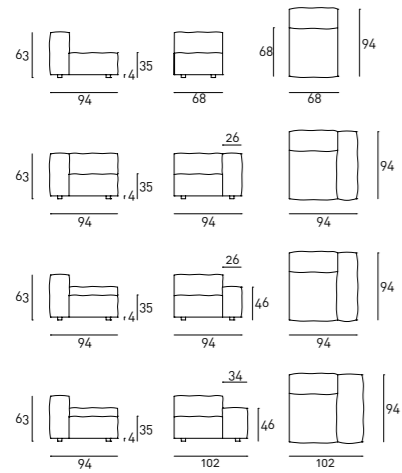


Hooks for assembly elements with feet with spacers.

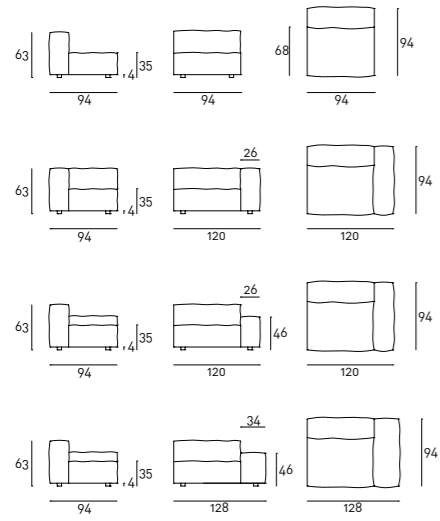


For compositions with different elements, please attach a general sketch to the order.

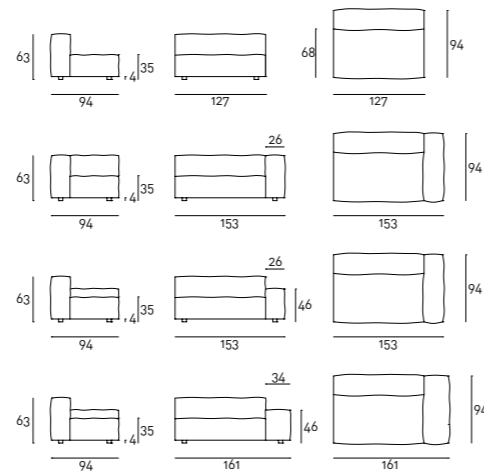
Technical Drawings
Seat 68×68



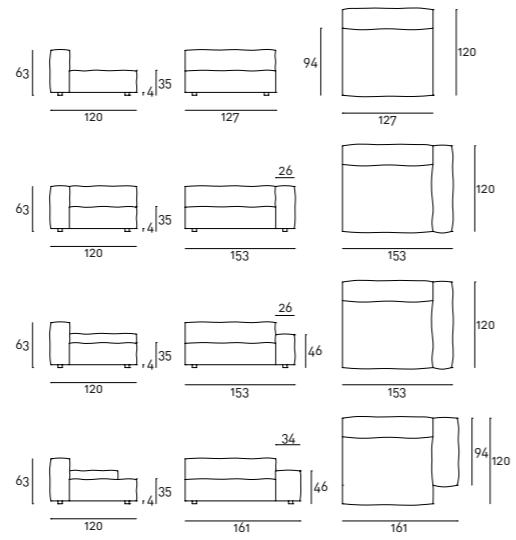
Seat 94×68



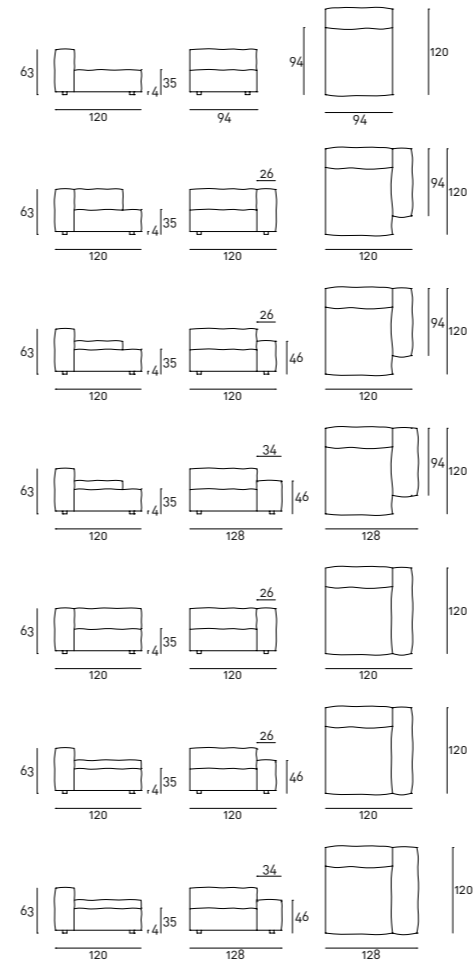
Seat 127×68



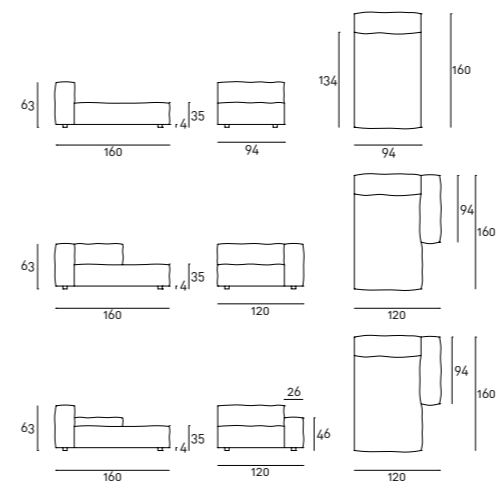
Seat 127×94



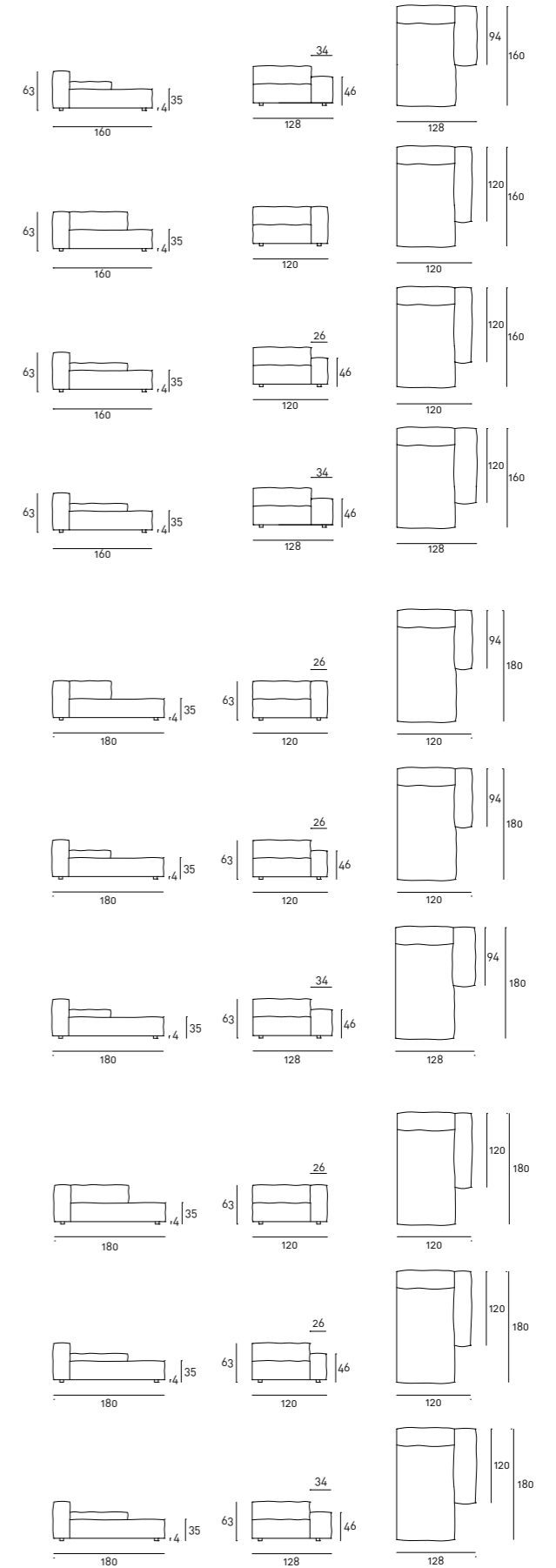
Seat 94×94



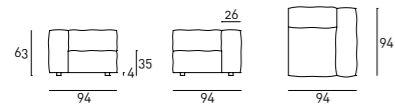
Long Seat



Long Seat



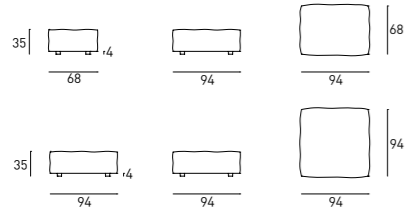
Corner Element



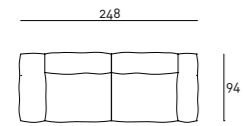
Loose Cushion



Footrest

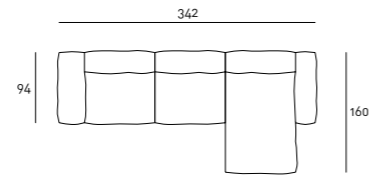


Examples of Composition
Composition 01



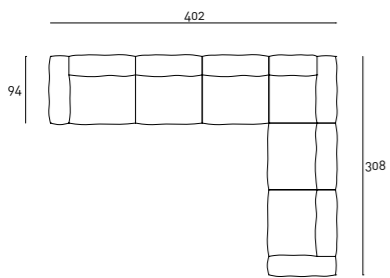
NW1T9128L SX
NW1T094A DX

Composition 02



NW1T9128L SX
NW1E094
NW1T12094A DX

Composition 03



NW1T094A SX
NW1E094
NW1A094
NW1E094
NW1T094B DX



The commercial codes refer to the elements chosen in the above-proposed compositions.