



## EXTRASOFT BED

design Piero Lissoni

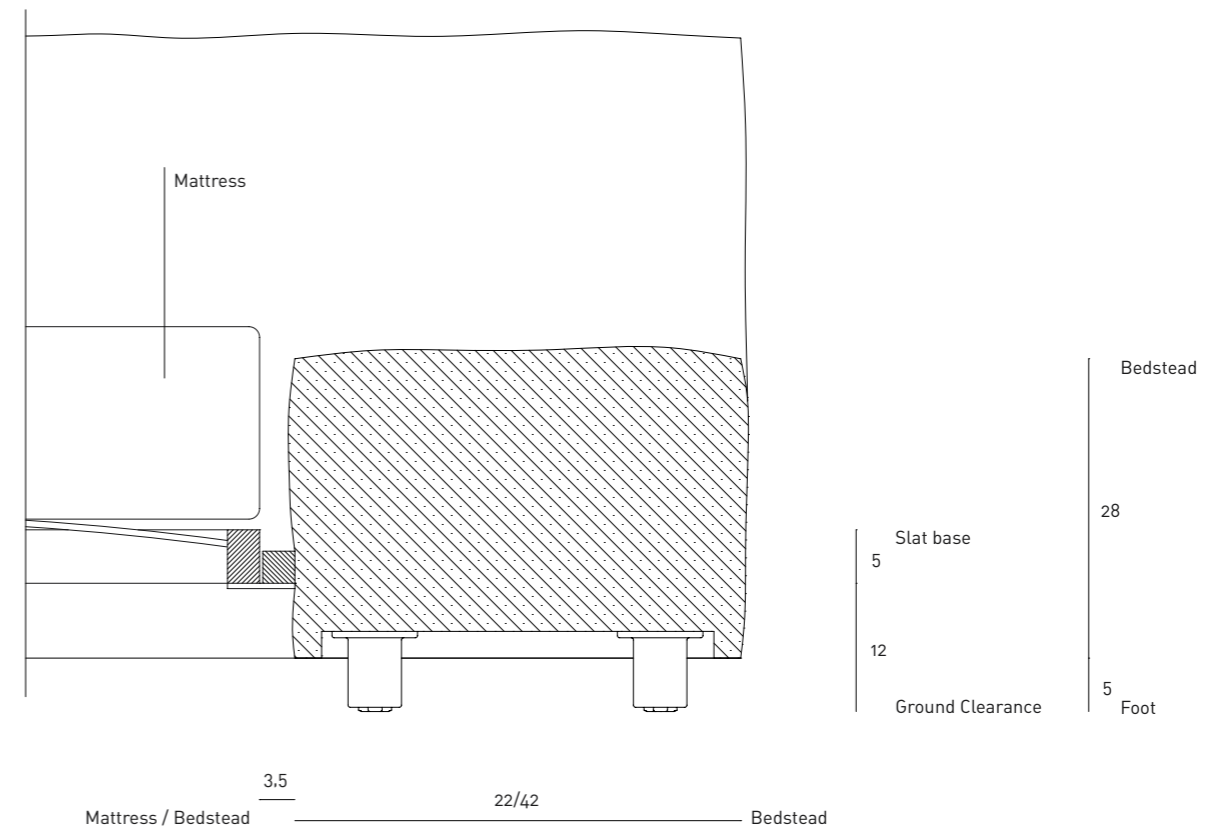
Bed with headboard and bedstead structure in double-panelled poplar and pine. Black lacquered metal bedstead frame for bed assembly and slat base support. Bedstead padding in differentiated density polyurethane foam with a covering in needle punched, resinated non woven polyester fibre, bonded onto a polyamide velveteen backing. Headboard in differentiated density polyurethane foam covered with a quilted mat in prewashed and sterilized goose down, stitched into separate compartments. Fabric or leather upholstery; the fabric version only is fully removable by Velcro fastenings. Fabric cover to protect the slat base, in 100% cotton col. Ecru fixed to the slat base

itself with Velcro fastenings (available only for slat base in the price list and supplied by the Company). Black adjustable PVC feet. Available also in American Queen and King size.

Predisposition for placing slat base, foreseen dimensions:

- cm160x200 or (2) 80x200
- cm180x200 or (2) 90x200
- cm200x200 or (2) 100x200
- cm153x203 Queen size
- cm193x203 King size

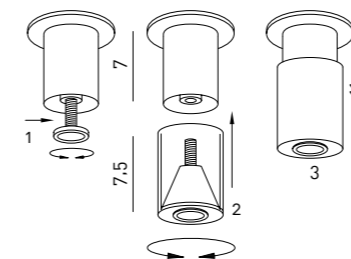
### Bed Section



### Notes

On request can be ordered a spacer, to lift the elements of further 4cm, to be screwed to the standard feet.

On request the bed can be ordered higher than standard.



When ordering, please indicate the required positioning of the side guides: the headboard of 121/125/135/141/145cm is always on the same side of the large side guide of 42cm.

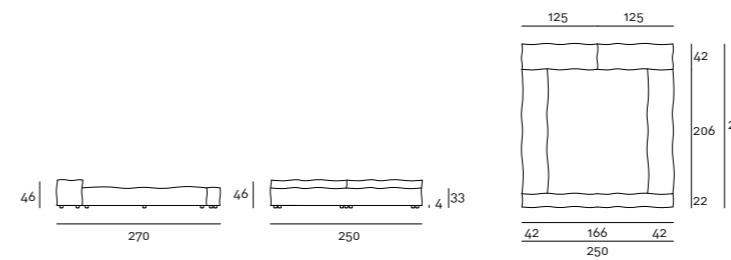
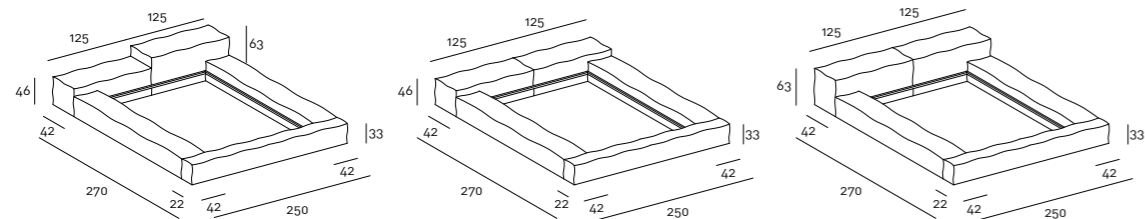
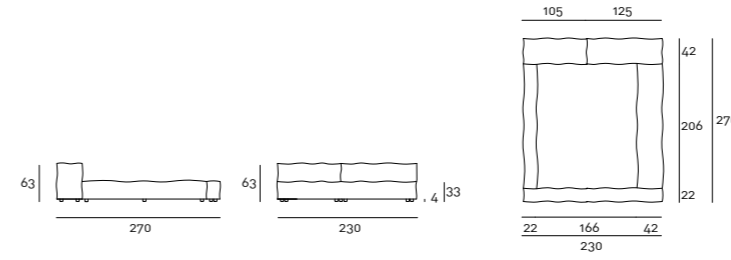
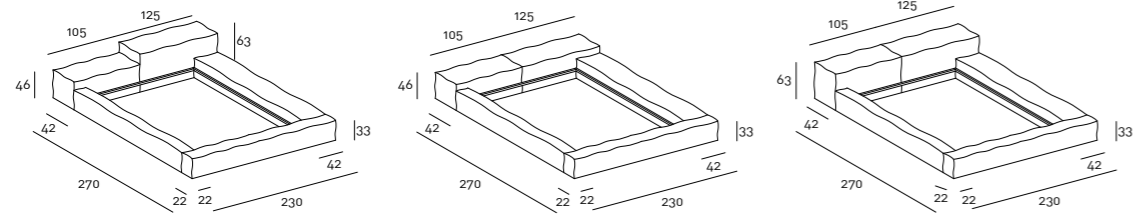
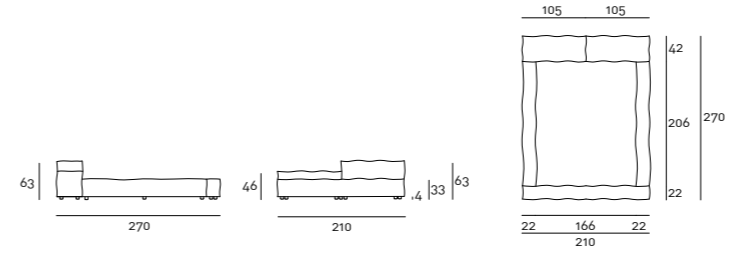
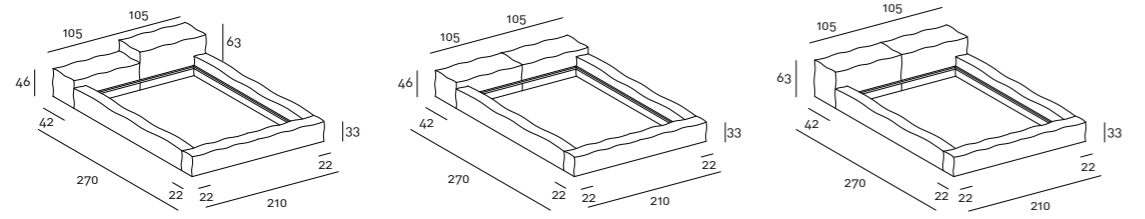
When ordering, please indicate the required positioning of the high and low headboard elements. If not specified, the bed will be manufacture as shown in the drawings.

Please attach a general sketch of the required configuration to the order.

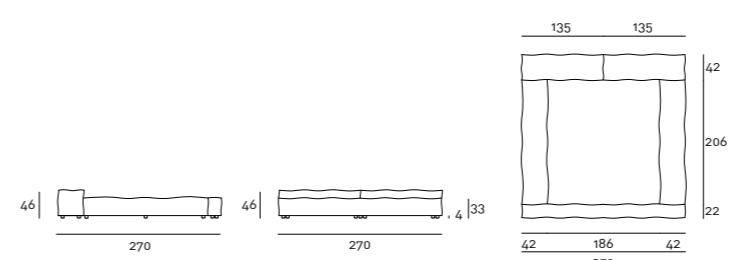
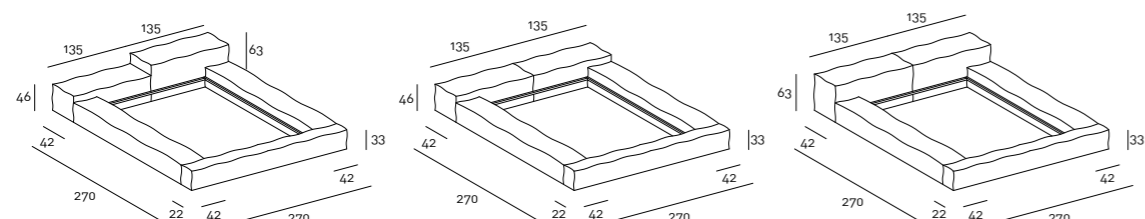
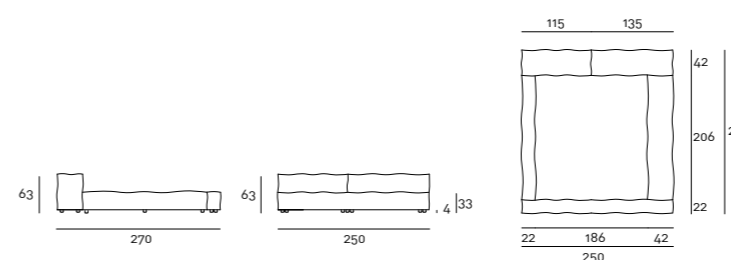
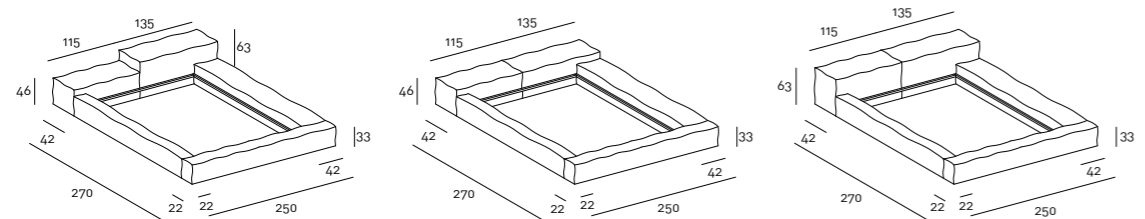
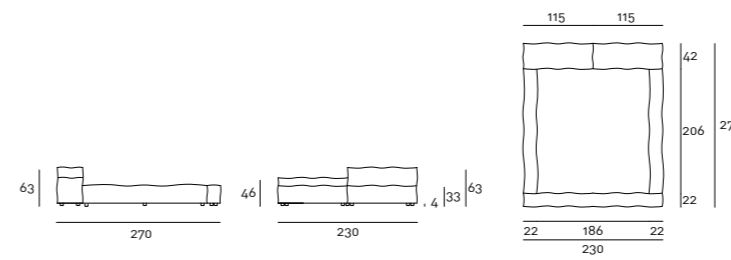
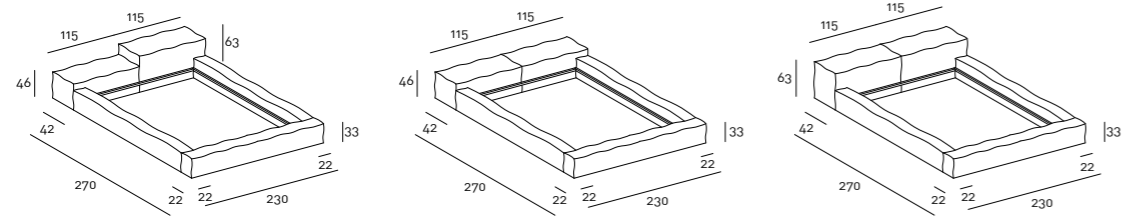
For slatted bases and mattresses not supplied by the company, please forward the technical specifications.

For slatted bases and mattresses, please refer to the price list.

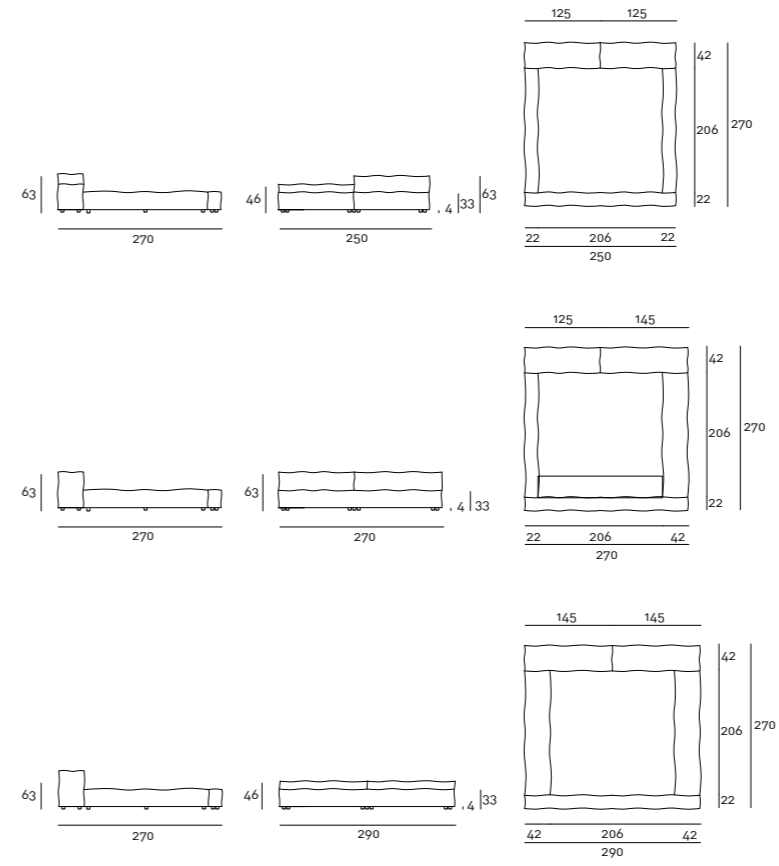
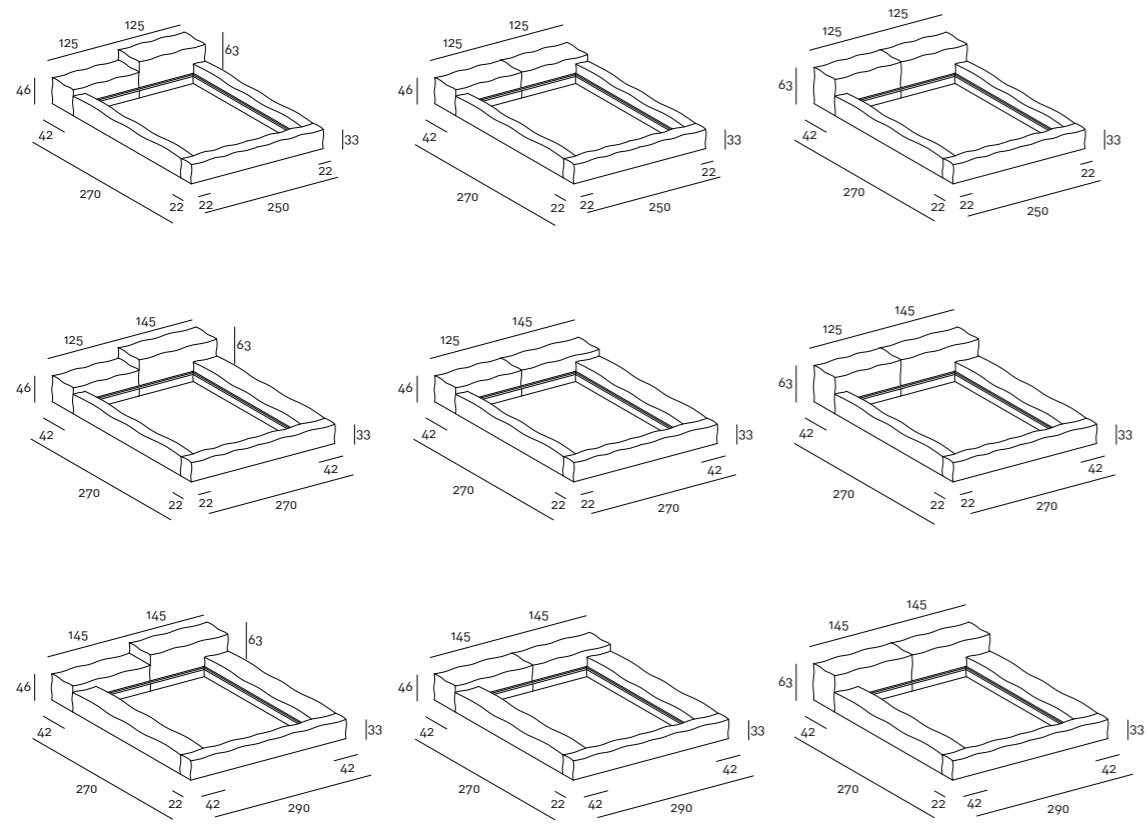
Technical Drawings  
Slatted Base 160x200



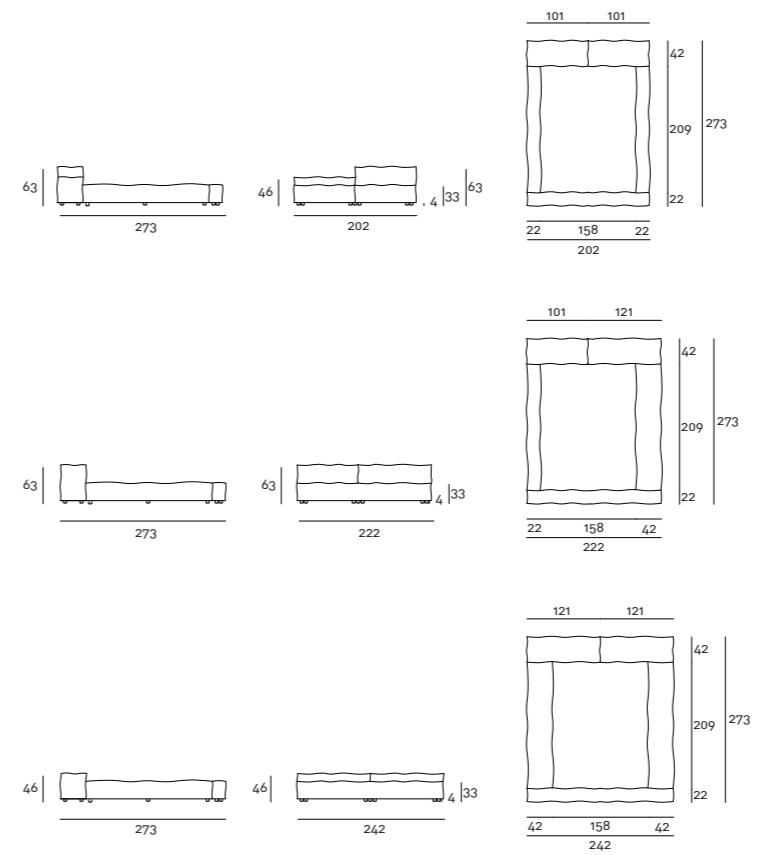
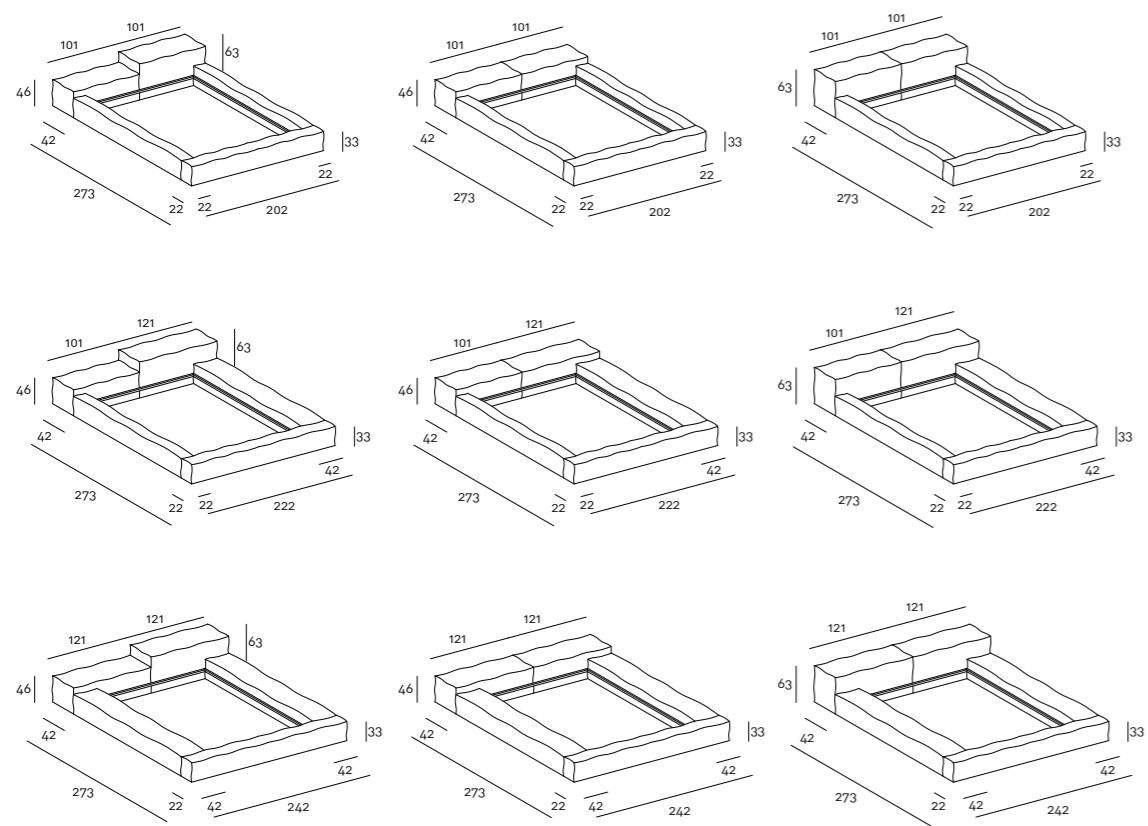
Slatted Base 180x200



Slatted Base 200x200



Slatted Base Queen Size 153x203



Slatted Base King Size 193×203

